

The Tool for All Trades

LT52

LT52 Laser Tool

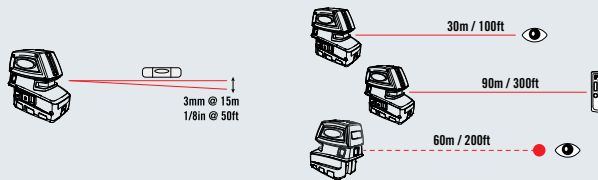
Specifications

Accuracy	1/8" @ 50 ft (3mm @ 15m)
Visual Distance - Points	200 ft (60m)
Visual Distance - Lines	100 ft (30m)
Receiver Distance - HR220	300 ft (90m)
Laser Power	Less than 1mw
Laser Class	Class 2
Batteries	4 x AA
Battery Life	56 hours - Points 11 hours - Lines
Out of Level Indication	Flashing beam, triple flash every 10 sec
Self Leveling Range	3° ±1° all directions
Dust and Water Resistance	IP54
Operating Temperature	14° to 113° F (-10° to 45° C)
Storage Temperature	-4° to 140° F (-20° to 60° C)
Size (L x W x H)	5.7 x 3.0 x 5.9 in (145 x 78 x 138 mm)
Weight	1.5 lb (0.68 kg)
Warranty	3 Years

3 Year Warranty includes Free Instant Over-the-Counter Exchange for the first 2 years and supplemental charge for the 3rd year.



Warranty Covers 3 foot (1 m) drop.



Contact Information:

NORTH AMERICA
Trimble Spectra Precision Division
5475 Kellenburger Road
Dayton, Ohio 45424 U.S.A.
Toll Free +1-888-272-2433
Fax +1-937-245-5489
www.spectralasers.com

EUROPE
Trimble Kaiserslautern GmbH
Am Sportplatz 5
67661 Kaiserslautern
GERMANY
Phone +49-6301-711414
Fax +49-6301-32213

© 2016, Trimble Navigation Limited. All rights reserved. Trimble, the Globe & Triangle logo and Spectra Precision are trademarks of Trimble Navigation Limited, registered in the United States Patent and Trademark office and in other countries. All other trademarks are the property of their respective owners.

PN 022507-444 (06/16)



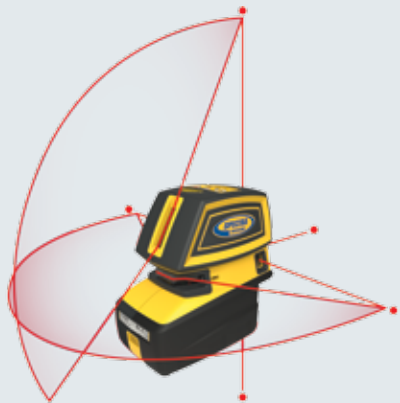
The Tool for All Trades



Versatile, Bright and Tough

The LT52 eliminates the need to purchase two tools by combining a 5 beam pointer and a crossline laser into one product.

- Versatile tool does multiple jobs – set it up once and work plumb, level and square in the whole area
- Automatic self-leveling assures accuracy and fast setup
- The industry's brightest crosslines and points for easy viewing in interior conditions – points are visible up to 200 feet (60 m)
- Wide 210° horizontal line intersects side points; Vertical up beam intersects up point
- Down point clears floor track, no additional accessory required
- Long battery life – 56 hours for pointer on alkaline batteries
- Water, mud, and shock resistant – able to withstand a 3 foot (1 m) drop onto concrete... IP54 rated

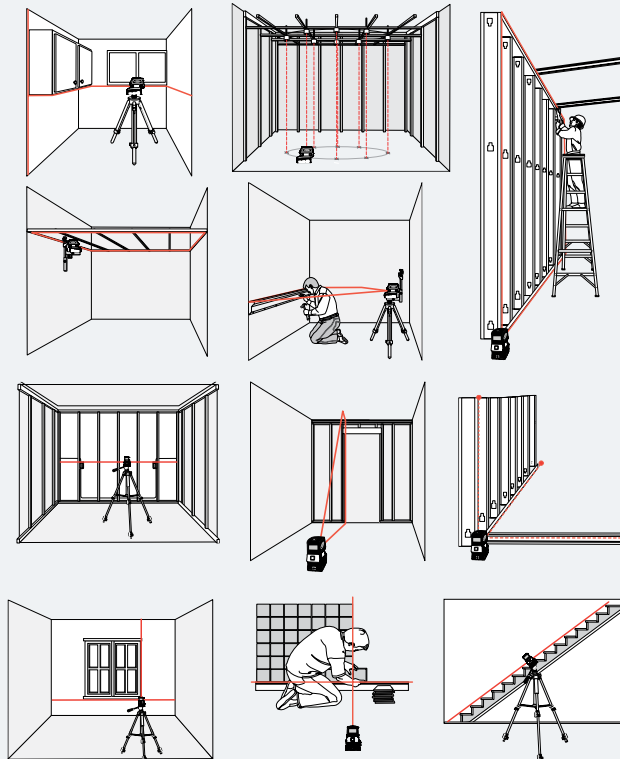


The Tool for All Trades

Designed for interior building and remodeling, the LT52 is used for many horizontal and vertical alignment tasks. Wall layout, acoustic ceiling installation, point transfer up and down, wall and floor tiles, finish carpentry and 90 degree squaring are all accomplished with one tool.

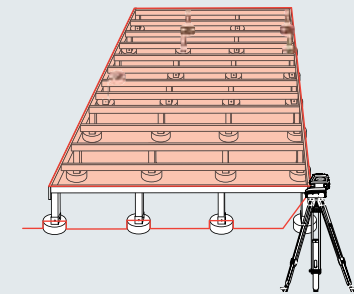
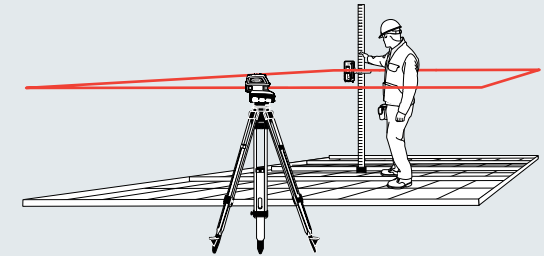
Wall crews, mechanical installers, plumbers, electricians, carpenters – all can increase accuracy and productivity.

Applications



HR220 Receiver

With the addition of the HR220 Line Receiver, the LT52 is ideal for short-range exterior general leveling and alignment tasks including elevation checks for decks, pools, masonry work, septic tank installation, and landscaping.



LT52 Package



LT52-2 Package